

RPCT : REPLACEABLE PLASTIC CONICAL TIP

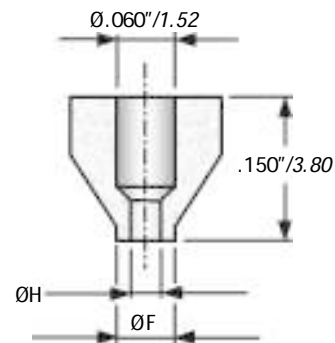


Among the different pick-up material base, SPT offers white Delrin® tips which possess a very low friction coefficient while harder than conventional rubber tips. Delrin is a good material alternative when facing “sticky die” problem. SPT recommends also molded Delrin tips which have the benefit of having smoother geometry transition than machined tips, thus preventing damage to the die surface. The Delrin® tips can be used for temperature up to 130°C.

For smooth and comfortable installation or removal of the RPCT tip on cylindrical stud shank, we recommend to use SPT tight tolerance shank styles.

PICK UP TOOLS

Tip Configuration	Ø F inch / mm	Ø H inch / mm
RPCT-030	.030 / 0.76	.015 / 0.38
RPCT-040	.040 / 1.02	.020 / 0.51
RPCT-050	.050 / 1.27	.025 / 0.64
RPCT-060	.060 / 1.52	.031 / 0.79
RPCT-070	.070 / 1.78	.035 / 0.89
RPCT-080	.080 / 2.03	.046 / 1.17
RPCT-090	.090 / 2.29	.046 / 1.17



How To Order		
TIP ONLY	Tip Configuration EXAMPLE : RPCT-050	
SHANK ONLY	Shank Style & Length L EXAMPLE : 2101 - .315 1059D	Shank /Insert Configuration - RPCT Shank - RPCT Shank