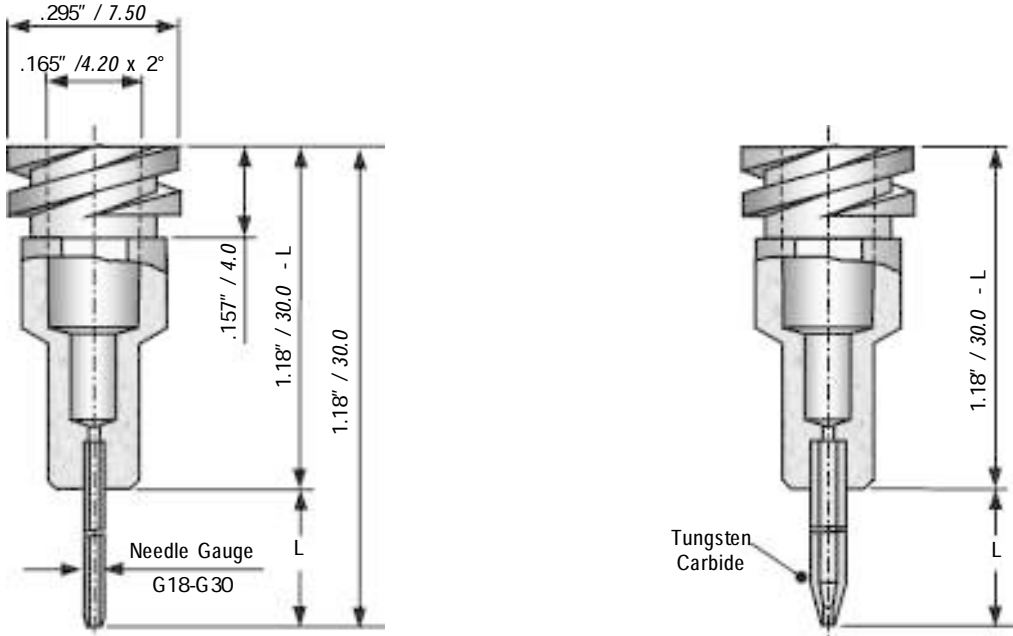
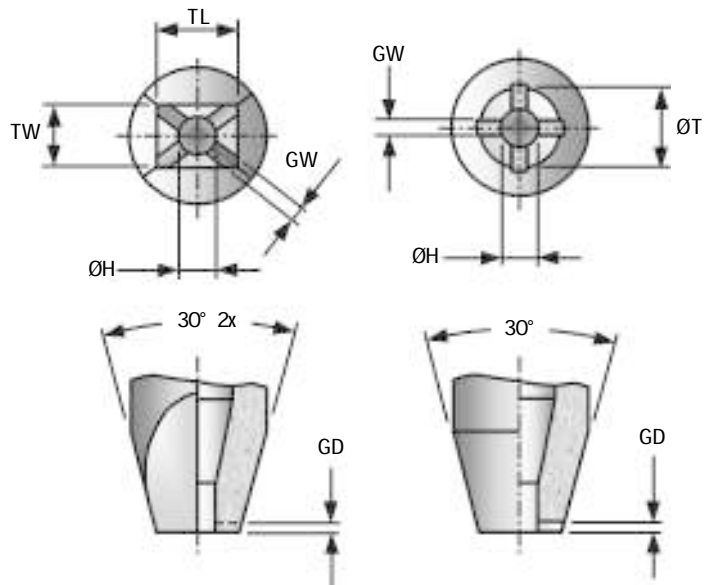


LDN : LUER DISPENSING NOZZLE

Stainless steel tubing with tapered tip inserted into standard Luer type body with full double lead thread, 2-piece construction. Fixed overall length design with variable needle length. Tungsten carbide tip with cross groove option is available for cross print pattern dispensing. This is to minimize epoxy-squeeze out for small die while maintaining complete coverage.



L Max = .748" / 19.0
L Std = .590" / 15.0



How To Order						
Tool Style	-	Needle	-	Tip	-	Ø T
Type - Body - L - Mat'l		Gauge* / ØH		Option		TL x TW
EXAMPLE : LDN - M40 - .590 - SS	-	G23				
LDN - M40 - .748 - SS	-	G19				
LDN - M40 - .590 - W	-	.016	-	CG	-	.032 - .004 - .008
LDN - M40 - .748 - W	-	.012	-	CG	-	.040 X .030 - .006 - .012

Note : * For Gauge Size information and selection see page 31