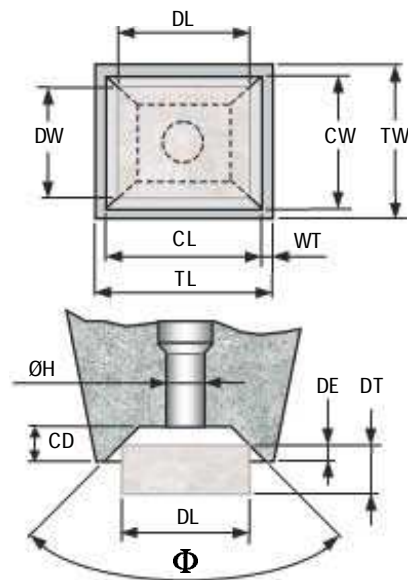
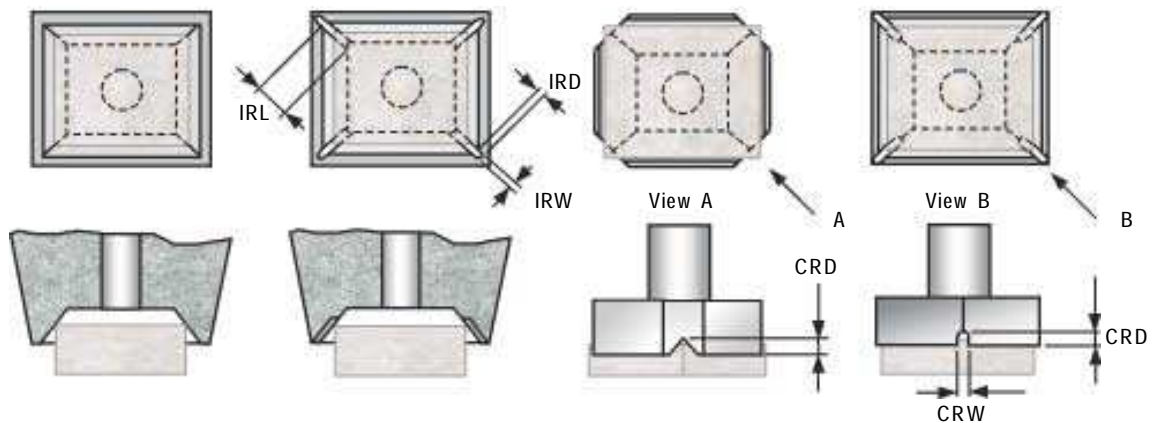


## 4 SIDED INVERTED PYRAMID DIE COLLET CONFIGURATION SELECTION

For each die size, SPT recommends a specific die collet configuration. However, those guidelines are very flexible and usually different configurations can successfully comply to the requirement of most common applications.

IP	IPIR	IPNC	IPCR
<b>Inverted Pyramid</b>	<b>Inverted Pyramid Inner Relief Corner</b>	<b>Inverted Pyramid Notched Corner Relief</b>	<b>Inverted Pyramid Corner Relief</b>
Die width < .020" / 0.50mm	Die width > .020" / 0.50mm to .100" / 2.54mm	Die width > .100" / 2.54mm	Die width > .035" / 0.90mm



### REQUIRED DIMENSIONS TO SPECIFY

- Φ = Internal Cavity Angle
- DL = Die Length (Not necessarily the largest)
- DW = Die Width (Not necessarily the smallest)
- DT = Die Thickness

### OTHER OPTIONAL DIMENSIONS

- DE = Die Engagement
- CL = Cavity Length
- CW = Cavity Width
- CD = Cavity Depth
- WT = Wall Thickness
- TL = Tool Length
- TW = Tool Width
- H = Hole Diameter
- CRD = Corner Relief Depth
- VR = Vertical Relief

*DL is the die size when the shank is oriented as drawn in the shank page. Important for non -symmetric shanks*

### How To Order

	Shank Style & Length	Mat'l	Tip Config.	Dimensions DL - DW - DT - (DE)
EXAMPLE :	2143	- W	- IPNC120	.120 - .110 - .020 - .010
	2101-16	- W	- IPIR90	2.54 - 2.28 - 0.50 WT=0.120