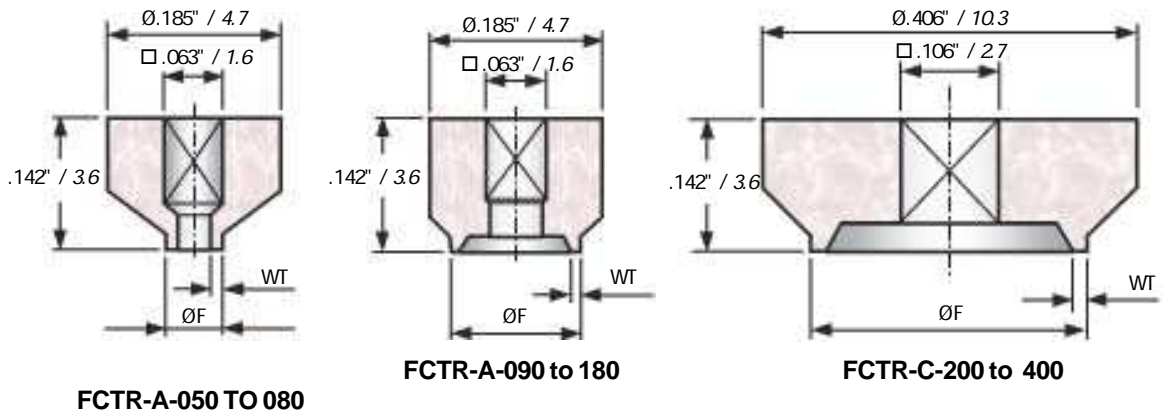


Available Molded PCTR/FCTR Size

	Type FCTR	Face Diameter ØF inch / mm	Wall Thickness WT inch / mm	Shank Insert	
	NA	.020 / 0.50	.0050 / 0.13	A/B XS	-
	NA	.030 / 0.76	.0050 / 0.13	A/B	-
	NA	.035 / 0.90	.0075 / 0.19	A/B	-
	NA	.040 / 1.02	.0100 / 0.25	A/B	-
	NA	.045 / 1.14	.0090 / 0.23	A/B	-
	FCTR-A-050	.050 / 1.27	.0115 / 0.29	A/B	
	FCTR-A-060	.060 / 1.52	.012 / 0.30	A/B	
	FCTR-A-070	.070 / 1.78	.012 / 0.30	A/B	
	FCTR-A-080	.080 / 2.03	.012 / 0.30	A/B	
	FCTR-A-090	.090 / 2.29	.010 / 0.25	A/B	
	FCTR-A-100	.100 / 2.54	.010 / 0.25	A/B	
	FCTR-A-120	.120 / 3.05	.010 / 0.25	A/B	
	FCTR-A-140	.140 / 3.56	.010 / 0.25	A/B	
	FCTR-A-160	.160 / 4.06	.010 / 0.25	A/B	
	FCTR-A-180	.180 / 4.57	.010 / 0.25	A/B	
	FCTR-C-200	.200 / 5.08	.016 / 0.40	C/D	
	FCTR-C-220	.220 / 5.59	.016 / 0.40	C/D	
	FCTR-C-240	.240 / 6.10	.016 / 0.40	C/D	
	FCTR-C-260	.260 / 6.60	.016 / 0.40	C/D	
	FCTR-C-280	.280 / 7.11	.016 / 0.40	C/D	
	FCTR-C-300	.300 / 7.62	.016 / 0.40	C/D	
	FCTR-C-320	.320 / 8.13	.016 / 0.40	C/D	
	FCTR-C-360	.360 / 9.14	.016 / 0.40	C/D	
	FCTR-C-400	.400 / 10.16	.016 / 0.40	C/D	

PICK UP TOOLS

The external FCTR diameter OD and the internal square insert dimensions are distributed in two possible sets : Insert type A & C. It is recommended to use SPT shanks with tight tolerances and proper design for high accuracy tip positioning and stability.



How To Order		Shank Insert Types		
TIP ONLY	Tip Configuration	- Insert Type	- Dimensions ØF	A/B XS
	EXAMPLE :	FCTR - C	260	A/B
		FCTR - A	160	A/B XL
		FCTR - A	060	
SHANK ONLY	Shank Style & Length	- Insert Type	C/D	C/D XL
	EXAMPLE :	2102 - 19 GS - A/B Shank		
		- C/D Shank		