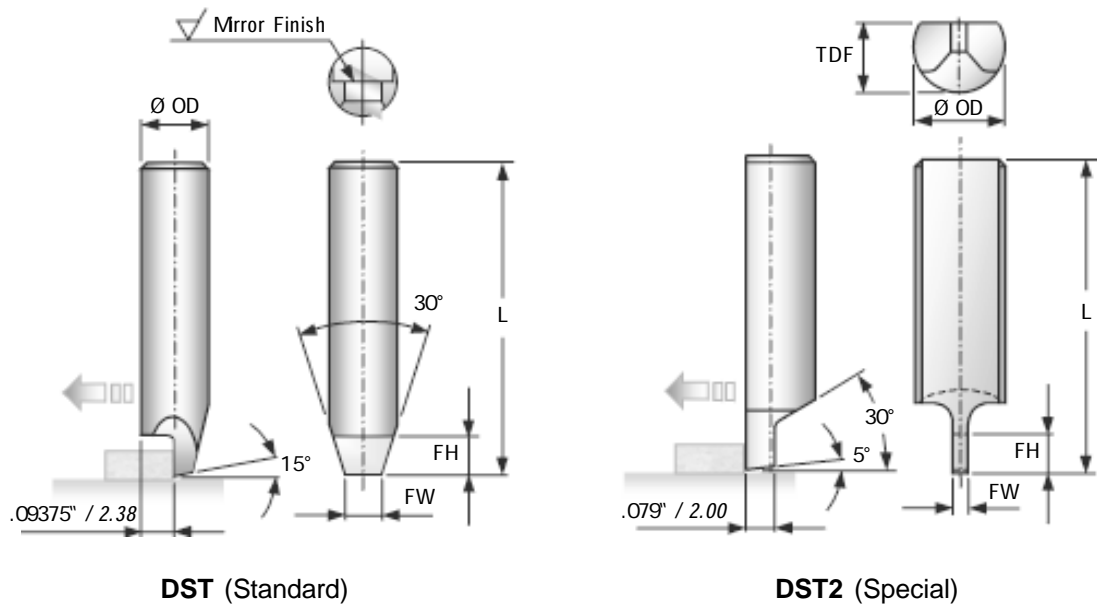


## DST : DIE SHEAR TOOL

The Die Shear Tool (DST) is a tool attachment for the shear test equipment used for shearing die from a substrate to test its adhesive or shear strength. It is recommended that the tool face width "FW" should always be longer (>20%) than the die side in contact with the shear tool. The die reflection from the mirror finished of the tool face will further aid operator to position the die within the tool face width.

Material available : W (Tungsten carbide) and HSS (High Speed Steel)



### How To Order

**Tool Style - Ø D - L - Mat'l - FW - FH - TDF - Option**

EXAMPLE : DST .1875" - .760" - W - .097" - .120"

DST2 - .250" - .730" - HSS - .040" - .118" - .190"