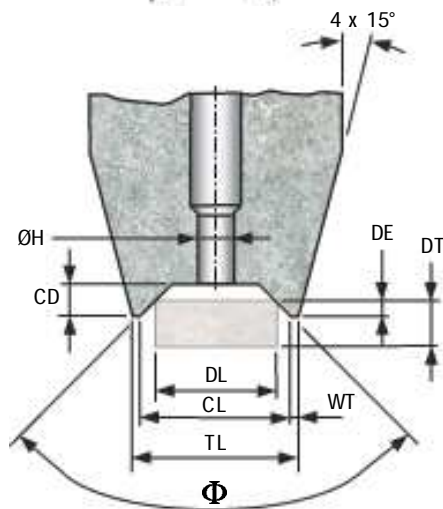
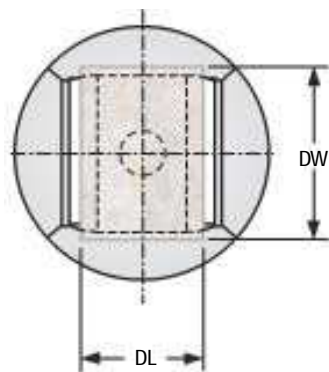


2 SIDED INVERTED PYRAMID DIE COLLET CONFIGURATION CH

This collet configuration is useful where tool access is limited. The die is retained against only two collet side walls. In the other direction, the collet tip (CW) is shorter than the die width (DW).



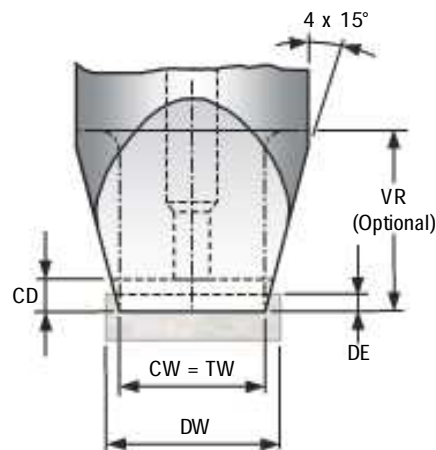
For CH collet, DL is always facing the channel cavity. (open side)

REQUIRED DIMENSIONS TO SPECIFY

- Φ = Internal Cavity Angle
- DL = Die Length (Not necessarily the largest)
- DW = Die Width (Not necessarily the smallest)
- DT = Die Thickness

OTHER OPTIONAL DIMENSIONS

- DE = Die Engagement
- CL = Cavity Length
- CW = Cavity Width
- CD = Cavity Depth
- WT = Wall Thickness
- TL = Tool Length (Not necessarily the smallest)
- TW = Tool Width (= CW)
- H = Hole Diameter
- VR = Vertical Relief



For CH collet, DW is always facing the channel wall and corresponds usually to the longer size

How To Order

	Shank Style & Length	Mat'l	Tip Config.	Dimensions DL - DW - DT - (DE)
EXAMPLE :	2143	- W	- CH120	- .090 - .100 - .020 - .010
	2101-14	- W	- CH90	- 2.28 - 2.54 - 0.50