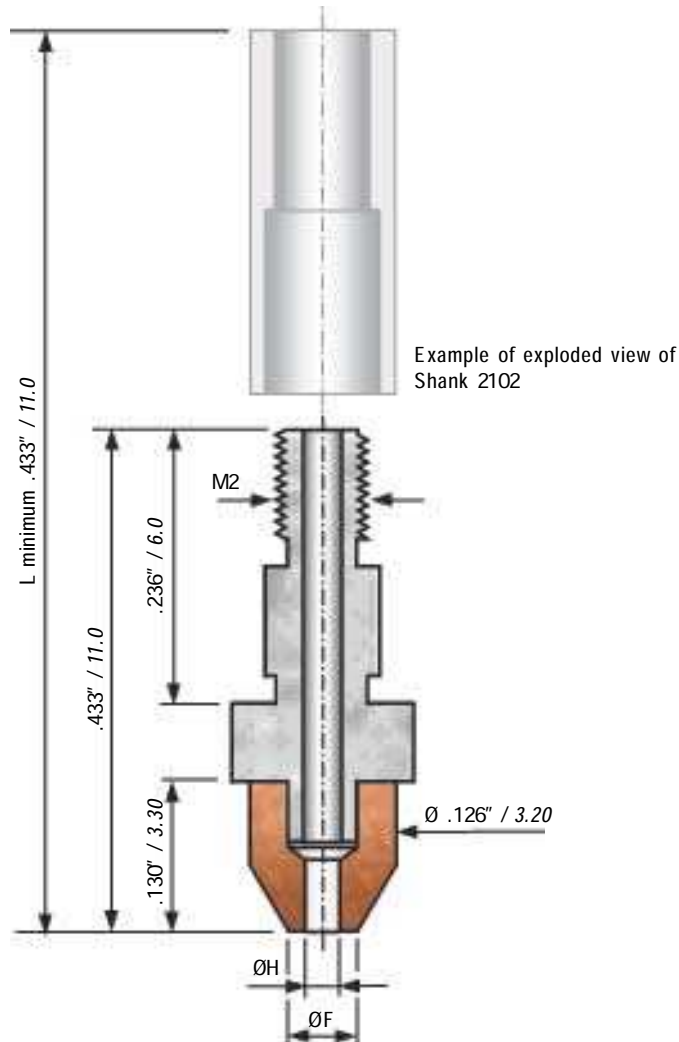


## 2151-CT : THREADED REPLACEABLE CONICAL TIP

Aside from our Replaceable Plastic Conical Tip (RPCT), we also offer the common threaded type replaceable tip in 2 piece construction. This is an option for smaller tip size requirement since the smallest tip size available for standard RPCT is only  $.030'' / 0.76mm$ . The tip can also be made from our available range of plastic material (See page 5). The design is adaptable to most shank styles.



How To Order					
<b>TIP ONLY</b>		<b>Tip Configuration</b>	- <b>Mat'l</b>	- <b>Tip Style</b>	- <b>Dimensions</b> $\text{ØF} - \text{ØH}$
	EXAMPLE :	2151	- TOR	- CT	.020 - .010
<b>SHANK ONLY</b>		<b>Shank Style &amp; Length</b>	- <b>Insert Type</b>		
	EXAMPLE :	GS	- 2151 Shank		
		2102 - .550	- 2151 Shank		